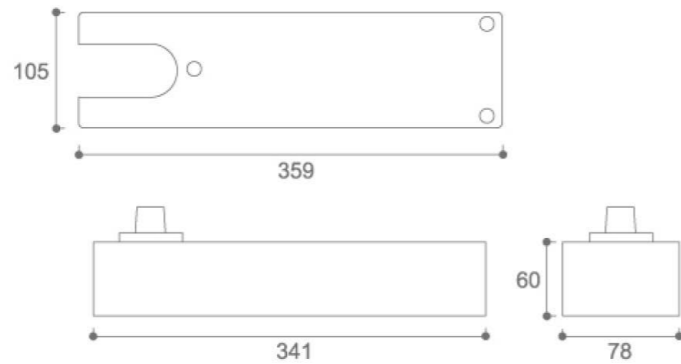


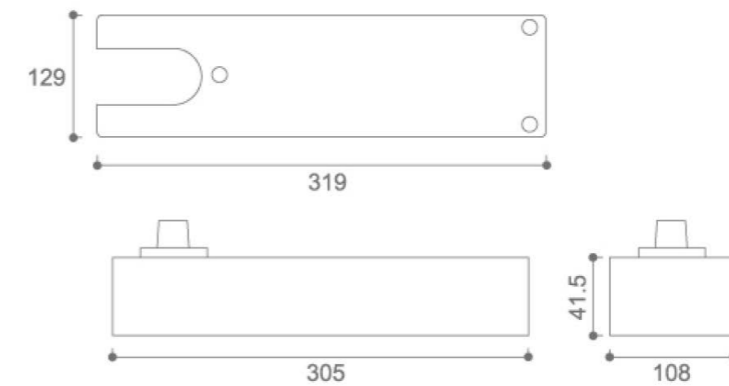
FS5200  
Floor Spring

- Material: 304stainless steel
- Door Weight: 60~150kg
- Closing Force: 2 - 5
- Door Width: <1200 mm
- Opening Angle: <130°
- Application: Single or double-acting doors
- Version: With hold-open function for door opening angle 90° or 105°
- Spindle Inserts: Standard 8 mm, 15, 20, 25mm optional
- Adjustment Facility: Closing force, closing speed and latching action continuously adjustable
- Agency Certification: In compliance with European standard EN 1154, passed 500,000 times test



FS5300  
Heavy Floor Spring

- Material: 304stainless steel
- Door Weight: 300kg
- Closing Force: 6
- Door Width: <1400 mm
- Opening Angle: <180°
- Application: Single or double-acting doors
- Version: With hold-open function for door opening angle 90°
- Spindle Inserts: Standard 8 mm, 15, 20, 25mm optional
- Adjustment facility: Closing force, closing speed and latching action continuously adjustable
- Agency Certification: In compliance with European standard EN 1154, passed 500,000 times test



Top Pivot

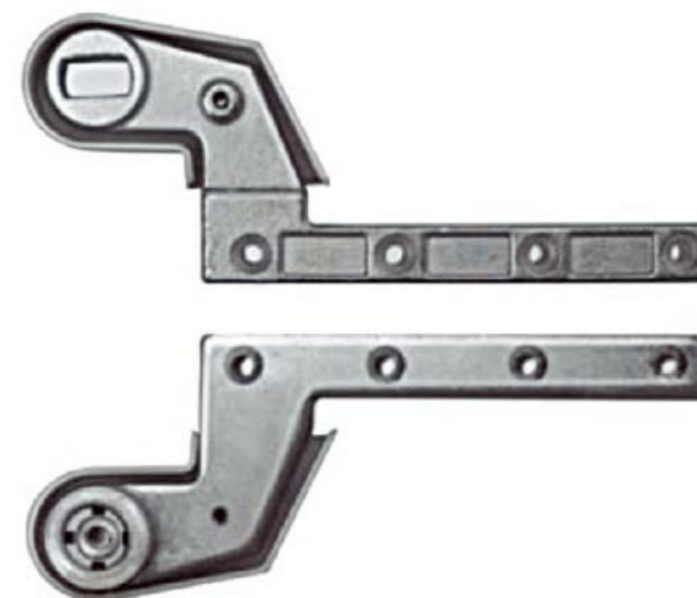
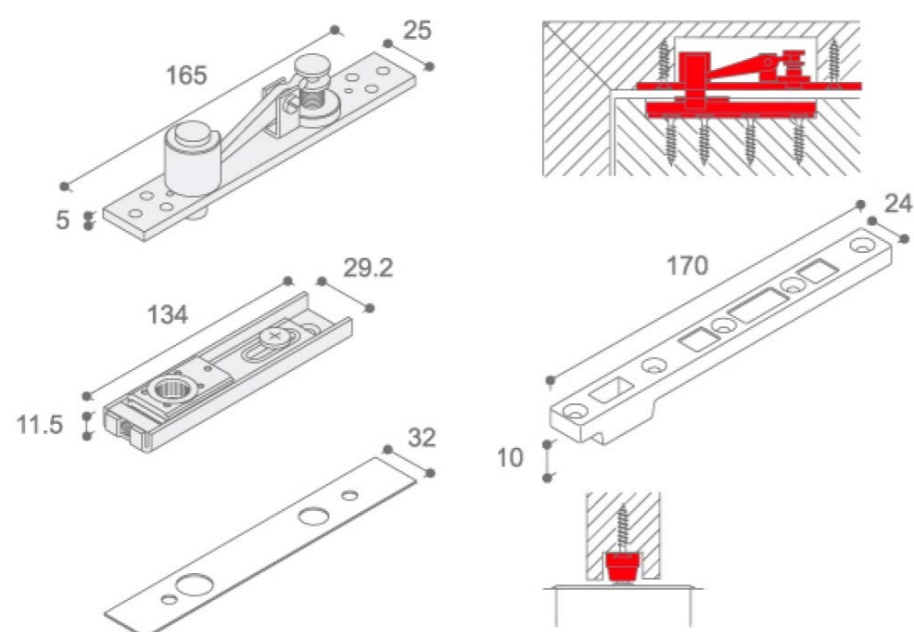


Bottom pivot



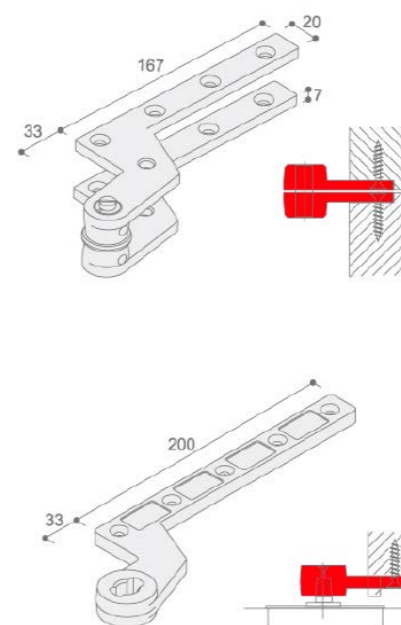
FS5000-DA  
Floor spring accessories

- Material: Steel
- Application: Double action doors
- Installation: For screw fixing
- Mounting: Suitable for DIN left hand, DIN right hand and double action doors



FS5000-SA  
Top Centre & Bottom Strap

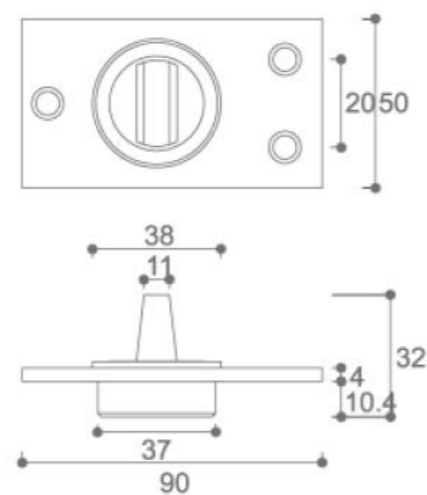
- Material: Steel
- Application: Single action doors
- Installation: For screw fixing
- Mounting: Suitable for DIN left hand, DIN right hand



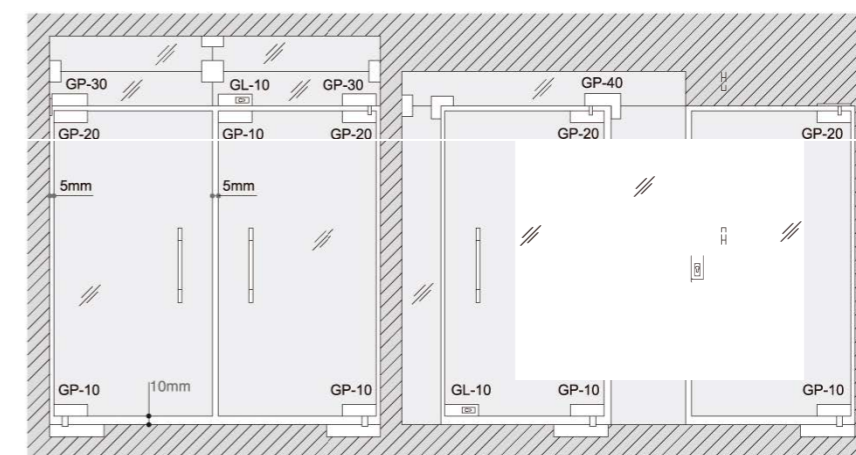


**FS5000-PB  
Pivot Bearing**

- Material: steel
- Door Weight: 150kg
- Installation: Screw fixation
- Application: Double action doors, suitable for DA or SA fitting operation
- Installation: For screw fixing
- Mounting: Suitable for DIN left hand, DIN right hand and double action doors



Hardware schematic diagram of double-open glass door



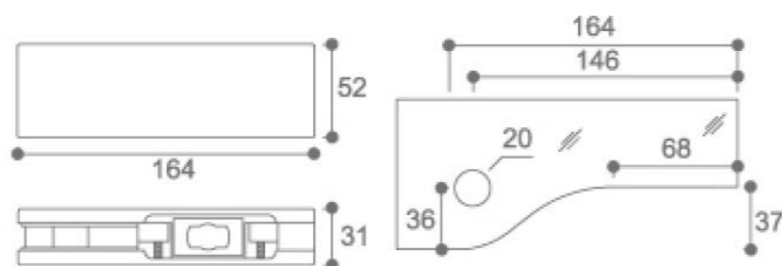


GP-10



### GP-10 Bottom Patch Fitting

- Material: 304stainless steel
- Door Width: <1100mm
- Door Glass Thickness: 10-12mm
- Version: With insert for flat conical floor spring pivot
- Installation: Concealed clamp fixing with hexagon socket head screws
- Mounting: Suitable for DIN left hand and DIN right hand use

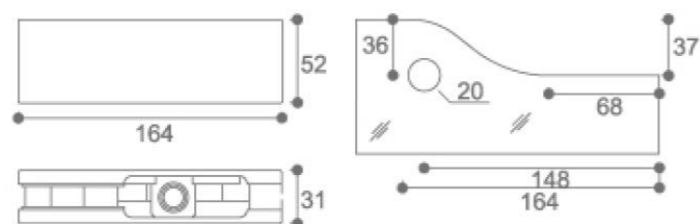


GP-20



### GP-20 Top Patch Fitting

- Material: 304stainless steel
- Door Width: <1100mm
- Door Glass Thickness: 10-12mm
- Version: With plastic pivot insert for bolt Ø 15mm
- Installation: Concealed clamp fixing with hexagon socket head screws
- Mounting: Suitable for DIN left hand and DIN right hand use

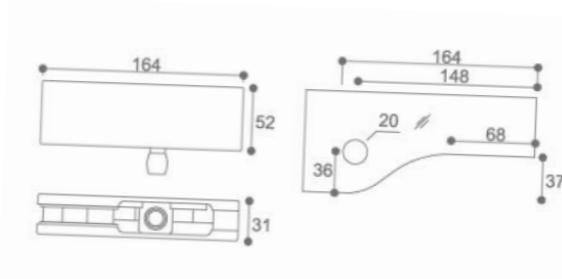


GP-30



### GP-30 Overhead Patch Fitting

- Material: 304stainless steel
- Door Width: <1100mm
- Door Glass Thickness: 10-12mm
- Version: With plastic pivot insert for bolt Ø 15mm
- Installation: Concealed clamp fixing with hexagon socket head screws
- Mounting: Suitable for DIN left hand and DIN right hand use

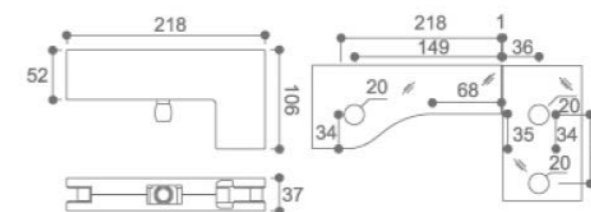


GP-40



### GP-40 Side Panel Pivot Patch Fitting

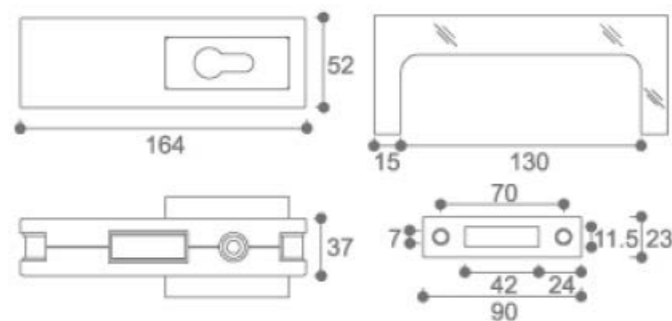
- Material: 304stainless steel
- Door Width: <1100mm
- Door Glass Thickness: 10-12mm
- Application: Counter bearing for top patch fitting or top rail
- Version: M8 threaded hole at rear for wall mounting
- Installation: Concealed clamp fixing with hexagon socket head screws
- Mounting: Suitable for DIN left hand and DIN right hand use





GL-10  
Patch Lock

- Material: 304stainless steel
- Door Width: <1100mm
- Door Glass Thickness: 10-12mm
- Application: For profile cylinder
- Installation: Concealed clamp fixing with hexagon socket head screws
- Mounting: Suitable for DIN left hand and DIN right hand use

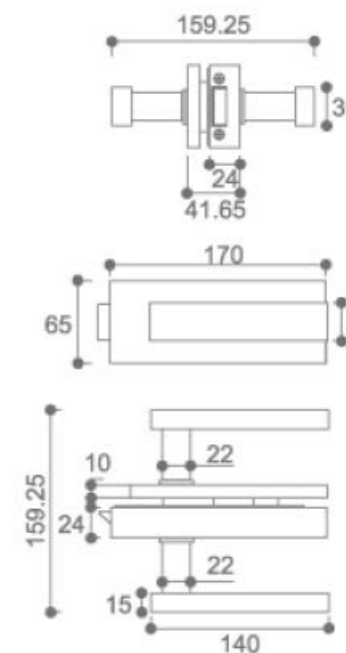


SDL-HL-GD-03



SDL-HL-GD-03  
Glass door lock

- Material: 304 stainless steel
- Finish: Satin
- Feature: Applied to 10-12mm glass thickness, No handed
- Installation: Glass door installed in the middle



SDL-HL-GD-04



SDL-HL-GD-04  
Glass door lock

- Material: 304 stainless steel
- Finish: Satin
- Feature: Applied to 10-12mm glass thickness, No handed
- Installation: Glass door installed in the middle

